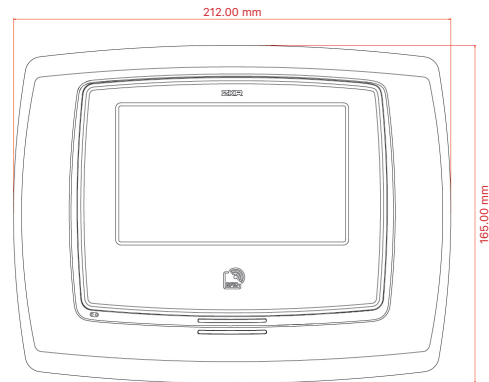


Versatile Plus Room Control Unit

This device ensures communication between Nurse Control Panel and Call Units. It is suitable for both surface and flush montage. It features a 5" touchscreen and built-in RFID card reader, which nurses use to verify their identity when responding to calls. All cards read by the unit are checked for authorization.

The Room Control Unit can be used to initiate and terminate emergency code calls (Code Blue-Cardiac Arrest etc.), assist calls, consultation calls, and voice calls to the Nurse Control Panel. It allows routine controls the staff to use their cards to log into the room without an active call. The unit logs all activities to the server with timestamps and ID information. If the server connection is interrupted, the Room Control Unit will independently log up to 99 calls until server connection is reestablished.



Technical Specification

ZKRUNCIPRMEN130 – 220V
ZKRUNCIPRMEN140 – PoE

Screen	5" Color Touch Screen, TFT
Operating System	Linux 4
Weight	500 g
Width	212mm
Depth	39 mm
Height	165 mm
Display Resolution	800x480
Processor	ARM Cortex A7 1.2 Ghz
Memory	64MB RAM 128MB ROM
VoIP	Full Duplex SIP
Language	English, Spanish, Russian, Turkish Custom
Power Supply	POE or 110-240 V
Operating Temperature / Humidity	-10°C +60°C / % 30 %80 RH
Raw Material	PC-ABS-FR
Card Reader	MIFARE Classic
Buzzer Speaker	2400Hz 65 dB
Ports and Slots	8xRJ45 for Call Units, 1xRJ45 for Over Door Light 1xPower in, 1xEthernet
Color	White
Power Consumption	18 W
Operating Voltage	12 V

Room Control Unit Montage Box

