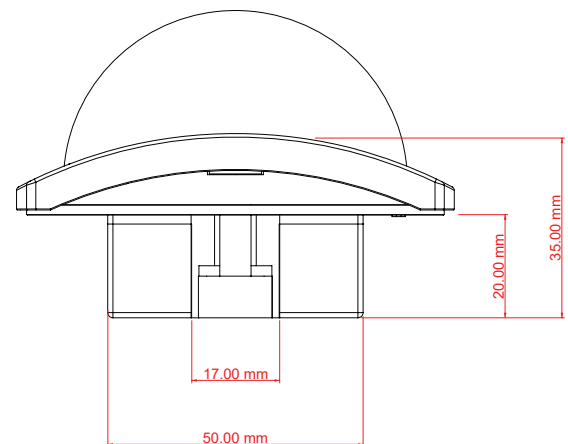
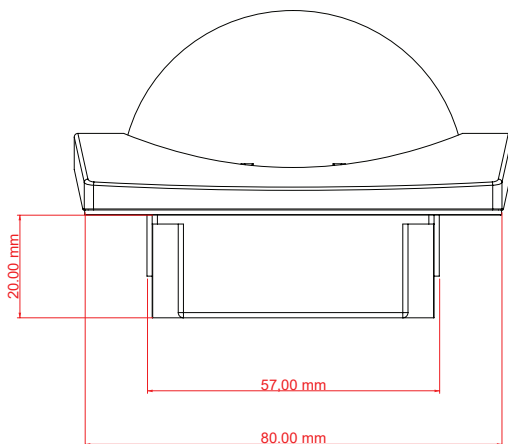


Air Over Door Light

The Air Over Door Light is located above the patient room door in the corridor. Its half-sphere shape makes it easily noticeable from any angle of view. It can indicate the call status of the room with 3 main colors, red, green, and blue.

It has very low energy consumption with environment-friendly LEDs. It is typically surface mounted but can also be flush mounted if preferred.

- 3 different colors (red, green, blue)
- Very low energy consumption
- Environment friendly LEDs



Technical Specification

ZKRUNCORWRLMP10

Weight	59 g
Width	80 mm
Depth	33 mm
Height	80 mm
Light Type	LED
Operating Temperature / Humidity	-10°C +60°C / % 30 %80 RH
Raw Material	PC-ABS-FR
Power Supply	110-240 V
LED Colors	Red, Green, Blue
Wireless Range	30 m
Operating Voltage	12 V
Wireless Frequency	433 Mhz Encrypted Communication Protocol